

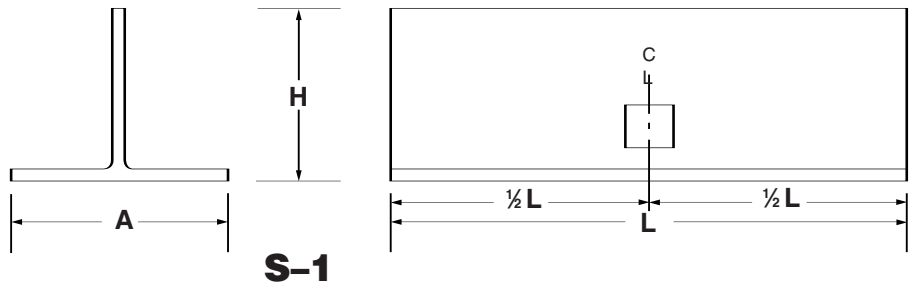
FABRICATED PIPE SHOES & SUPPORTS

The unique integration of distribution, fabrication and painting functions at Industrial Material Corp. (IMC), allows us to provide an unmatched combination of quality, service and competitive pricing.

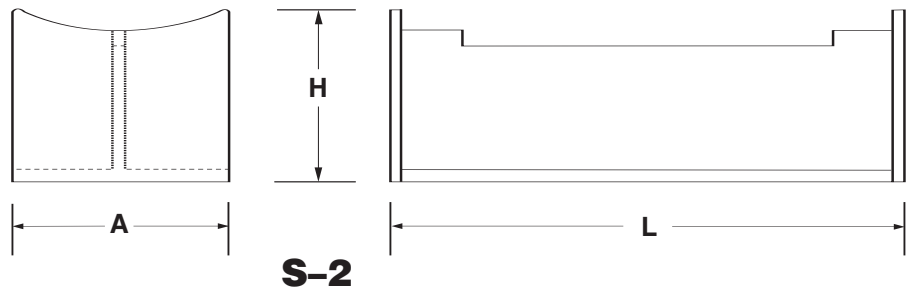
IMC eliminates time loss and opportunities for error that occur between conventional distributors, fabricators and painters, increasing speed and reliability.

We have been meeting the demands of gulf coast industry since 1958.

We can provide a single shoe to meet an immediate need and establish long-term project or facility-specific supply systems for fabricated products and related items.

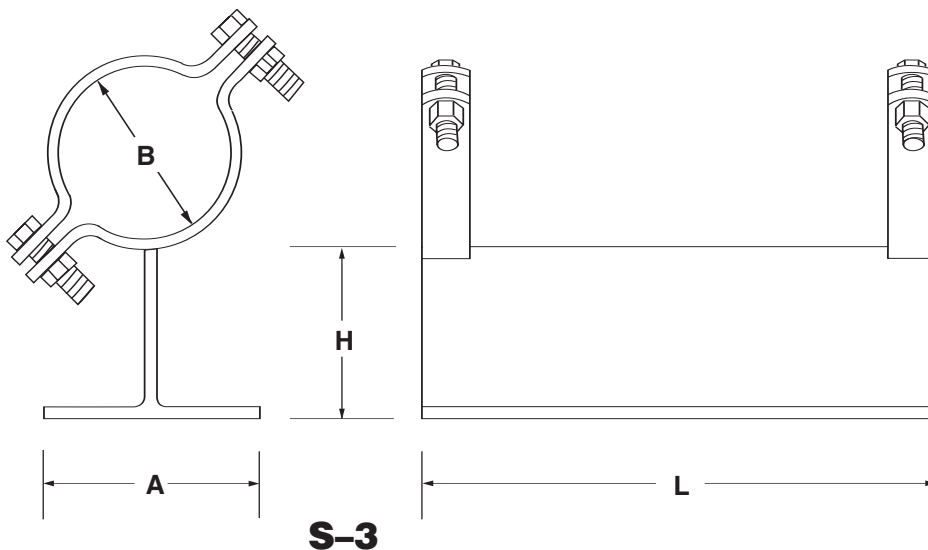


Industrial Material's certified welders specialize in pipe shoes, supports and similar items. We supply black and hot-dipped galvanized fabrication, and are experienced applicators of inorganic zinc, epoxies, enamels and other coatings.



IMC's quality improvement process, ensures reliability and facilitates company-wide learning. We are committed to providing "goods and services right the first time, every time."

Industrial Material also fabricates structural steel, embeds, instrument stands and similar items. Moreover, we have the knowledge and resources necessary to meet demanding supply, fabricating, and coating needs.



All Angles Covered