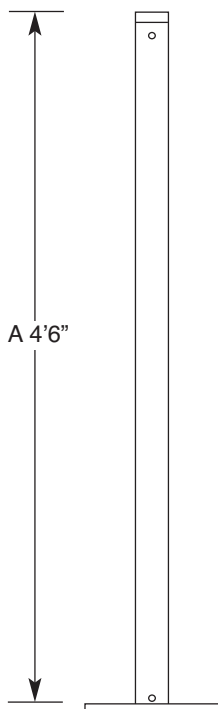




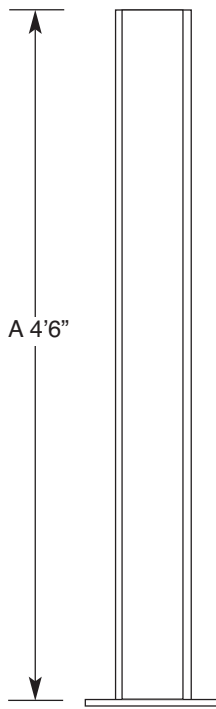
# INSTRUMENT STANDS

Industrial Material Corp. (IMC) manufactures and sells instrument stands, allowing us to offer an unbeatable combination of quality, price and service. IMC stock stands are made of 2" schedule 40 carbon steel pipe and hot-dip galvanized after fabrication. We can also make them to your specifications, add gussets, and/or use alternate materials. Industrial Material sells a complete line of accessories including: u-bolts, wedge anchors and perforated metal.

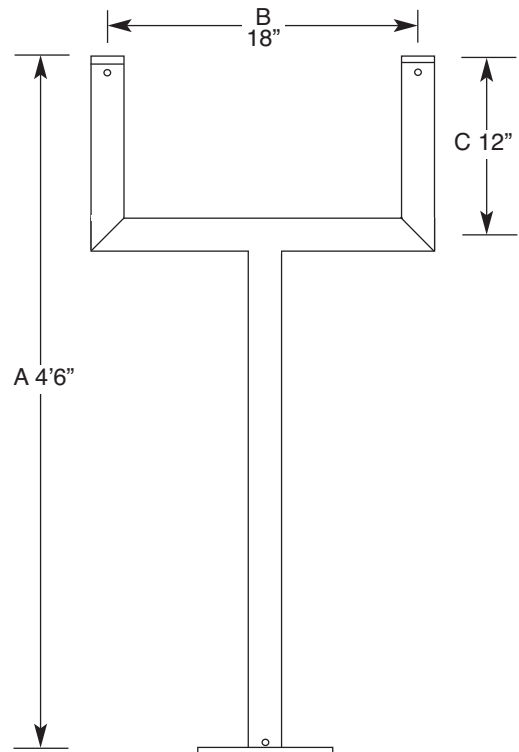
Type 1



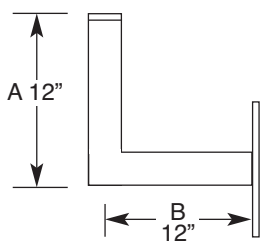
Type 1 Channel



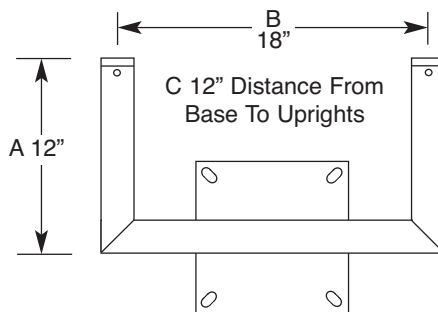
Type 2



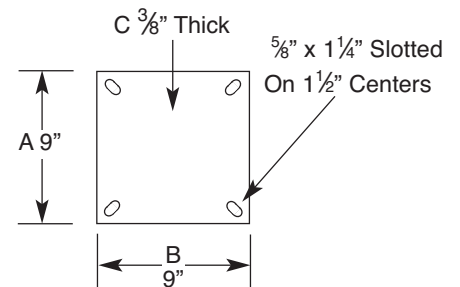
Type 4 Side View



Type 5



Base Plate



IMC fabricates pipe shoes and supports, ladders and cages, platforms and related items.