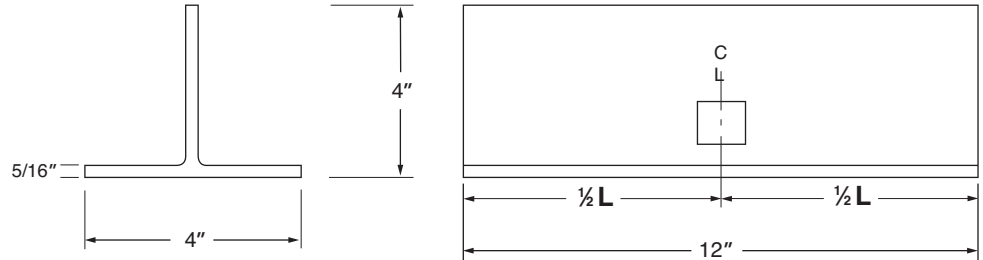




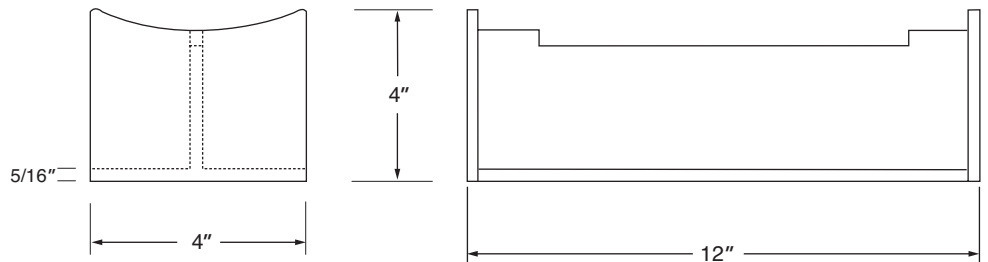
# FABRICATED PIPE SHOES AND SUPPORTS

Industrial Material's certified welders specialize in pipe shoes, supports and similar items. We supply black and hot-dipped galvanized fabrication, and are experienced applicators of inorganic zinc, epoxies, enamels and other coatings.

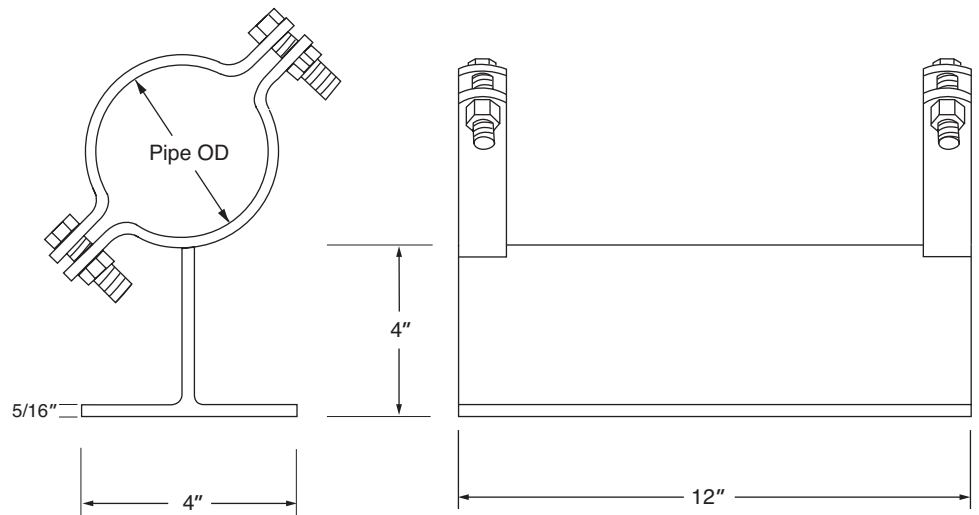
The unique integration of distribution, fabrication and painting functions at Industrial Material Corp. (IMC), allows us to provide an unmatched combination of quality, service and competitive pricing. IMC eliminates time loss and opportunities for error that occur between conventional distributors, fabricators and painters, increasing speed and reliability. We have been meeting the demands of gulf coast industry since 1958. We can provide a single shoe to meet an immediate need and establish long-term project or facility-specific supply systems for fabricated products and related items.



**S-1**



**S-2**



**S-3**

IMC also fabricates structural steel, embeds, instrument stands and similar items. Moreover, we have the knowledge and resources necessary to meet demanding supply, fabricating and coating needs.